

Moove

THE FREE CUT FAMILY

CUTTABLE TO SIZE
PLUG & PLAY
DIY LAMP



Moove

The free cut family

"Free cut" lamps collection,
customizable to the millimeter, to be
independently assembled

Moove is a versatile DIY lighting system, ideal for enhancing any furniture in an easy and intuitive way. The collection includes various aluminum profiles that can be cut to size, supplied in 3m lengths complete with a polycarbonate diffuser: each profile incorporates a new state of the art "free cut" LED strip, **which can be cut together with the profile at any point without cutting pitch constraints or loss of functionality**. A solution with no material wasting, in which each cut section can be used, by means of practical "plug&play" power connectors, to create customized lamps down to the millimeter with a "full light" effect without shadow areas.

IDEAL FOR

- Wardrobe cabinets
- Undercabinet
- Shelf

FEATURES

- "plug&play" system
- easy installation/
replacement
- cuttable to size
- integrated control



A complete range for every need

The Moove lamp collection includes various lighting solutions: a complete range of products to enhance furniture, for horizontal or vertical installation.

Moove 1 is a practical protruding profile, easy to install in any context without milling operations, ideal for refitting existing furniture; **Moove 2** is a small dimensions recessed profile with adjustable light beam, ideal for vertical installations inside the cabinet's sides; **Moove 3** is a versatile recessed profile, complete with various accessories for use in any environment; **Moove 4** is a flexible LED Reel for recessed installation, only 4mm wide, whilst **Moove 5** is the ideal solution for lighting drawers or inside kitchen base units.



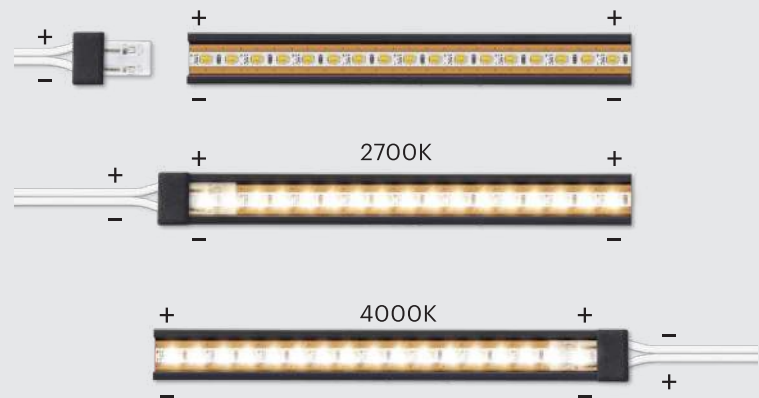
Plug & play power supply, integrated control and accessories

The cabled plug & play power connector, available for each Moove version, allows the creation of customized lamps in a simple, intuitive and safe way: a solution without the need to solder the LED that makes the installation of the device in the cabinet easier, also facilitating its possible replacement. The new integrated controls systems, functional and elegant, widen the lamp's installation scenarios, while the range of accessories allows the in-line connection of multiple lamp sections, an intelligent solution that avoids material waste.

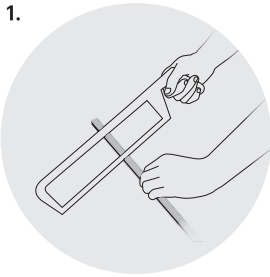


Preassembled Dual Color LED, "full light" without shadows

DIY lamps customized to the millimeter, with "full light" effect without shadow areas thanks to the pre-assembled LED Strip, cuttable at any point without loss of functionality together with the profile. **The color temperature varies from 2700K to 4000K by inverting the insertion side of the power connector** or via remote light control systems.



Cut, connect... create!



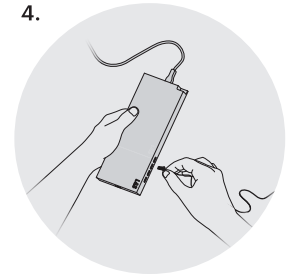
Cut the profile to size together with the diffuser



Carefully remove any aluminum burrs, dust, debris or shavings

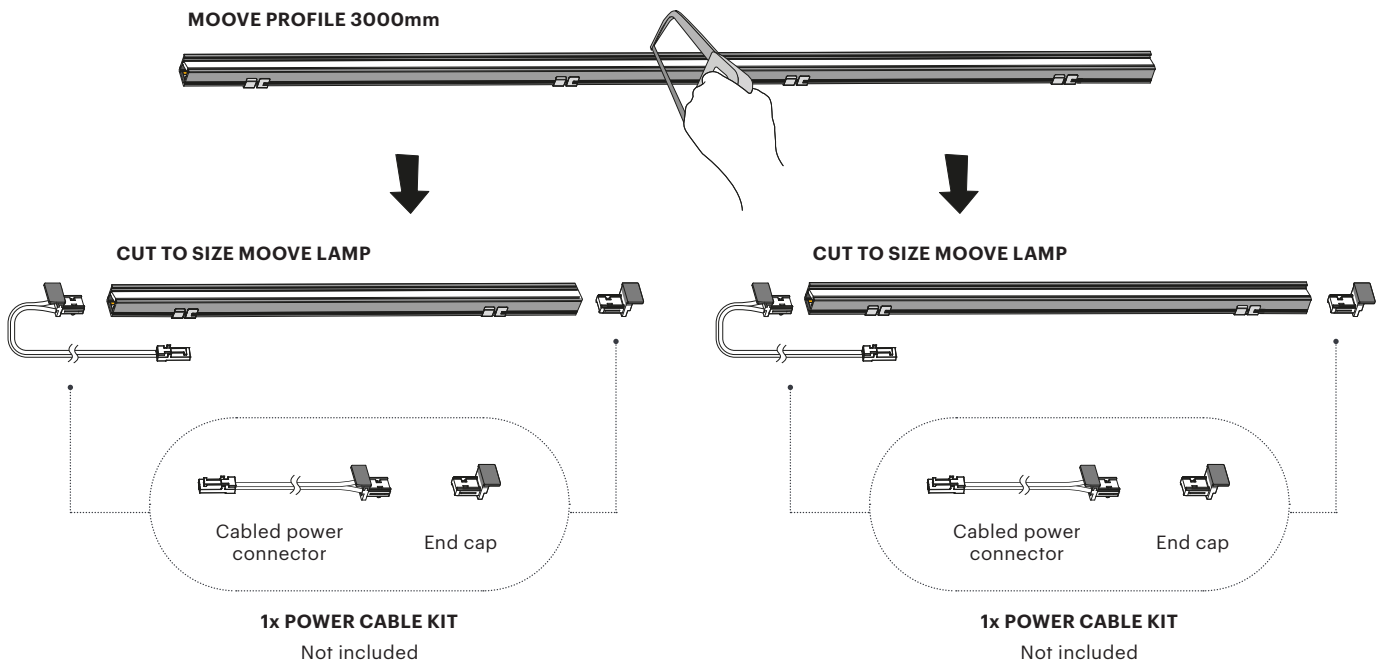


Use the plug & play Power Kit to assemble the lamp



Connect MOOVE to the MEC Lite power supply system

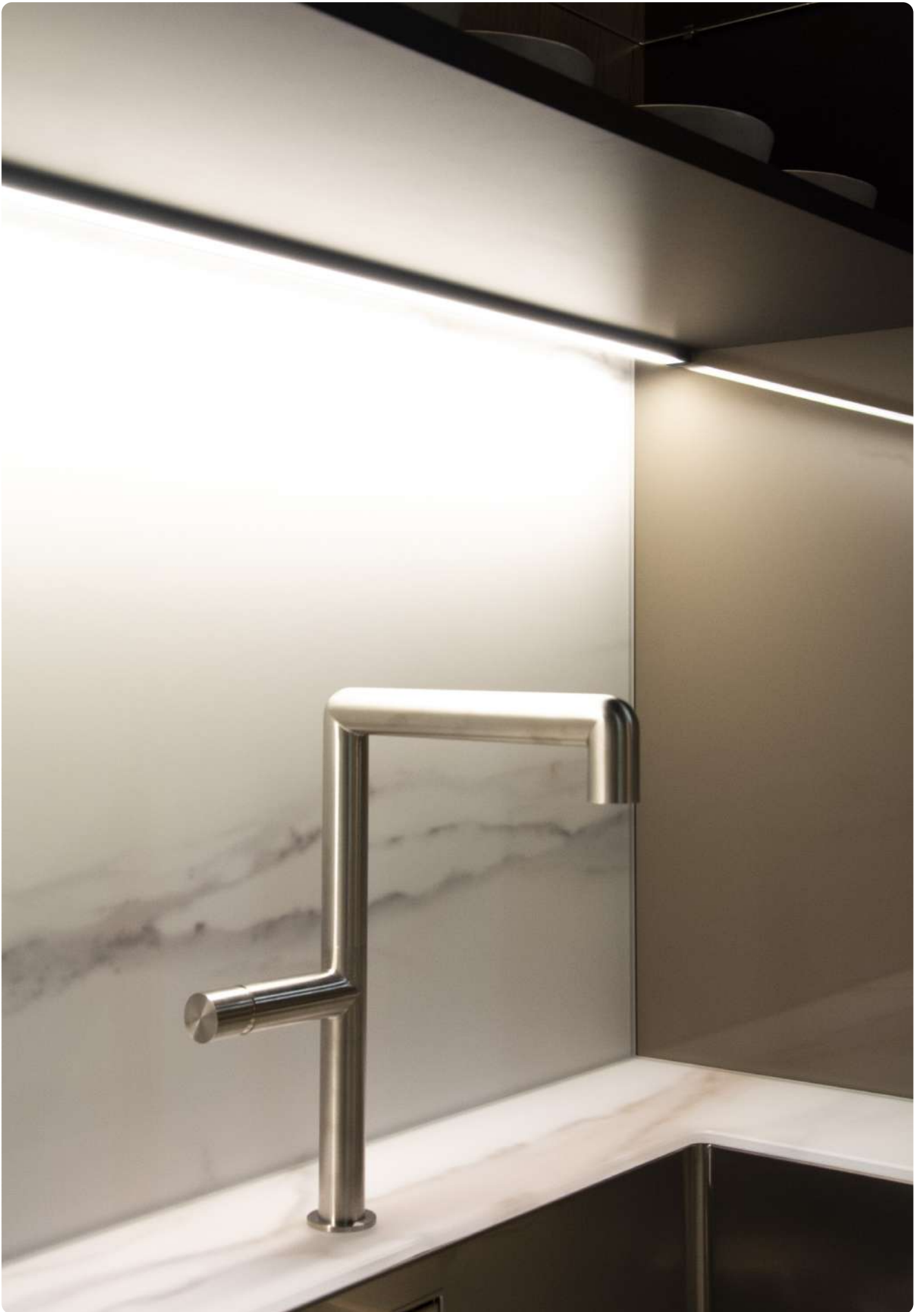
Each cut section can be used to assemble customized lamps down to the millimeter



Note for cutting Moove profiles: use tools suitable for aluminum cutting and execute a precise and clean cut, carefully removing any aluminum burrs, dust, debris or shavings

Free Cut Family

		Power supply and accessories					Optional switching systems			
		Alimentazione PLUG & PLAY	Bridge	L - Connector	Soft Link	Clip di fissaggio	IRS IR Sensor	PIR Motion sensor	TCS Touch Switch	IRD Door Sensor
Moove 1 P.8 SURFACE MOUNTING Direct light emission		●	●		●	●	●	●	●	
Moove 2 P.12 RECESSED MOUNTING Adjustable light beam orientation		●	●	●		●				
Moove 3 P.16 RECESSED MOUNTING Direct light emission		●	●	●		●	●	●		
Moove 4 P.20 RECESSED MOUNTING Flexible LED Reel with direct light emission		●			●					
Moove 5 P.24 SURFACE MOUNTING Direct light emission		●				●				●



Moove 1

FREE CUT



IP20



Cuttable to size surface mounted lamp with direct light beam.



FREE CUT - PLUG&PLAY

3000mm aluminium profile, complete with integrated LED and pre-assembled opal diffuser.

Can be cut to size freely at any point without losing LED functionality: each cut section can be used to create a lamp by means of power cable KIT or plug & play switching systems (not included).

INTENDED USE

Ideal for lighting undercabinet, shelves and the interior of wall units, wardrobes and walk-in closets.

Easy installation with fixing clips, no furniture milling required: ideal for refitting and integration into existing furniture.

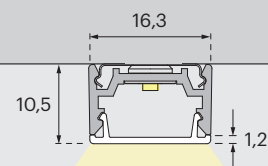
ACCESSORIES

- Complete range of Integrable plug & play sensors: IRS / PIR / TCS
- Accessories for in-line connection of multiple lamp segments.

FINISHES

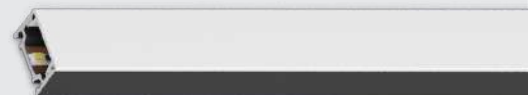
Available in black finish.

SECTION 1:1 (mm)



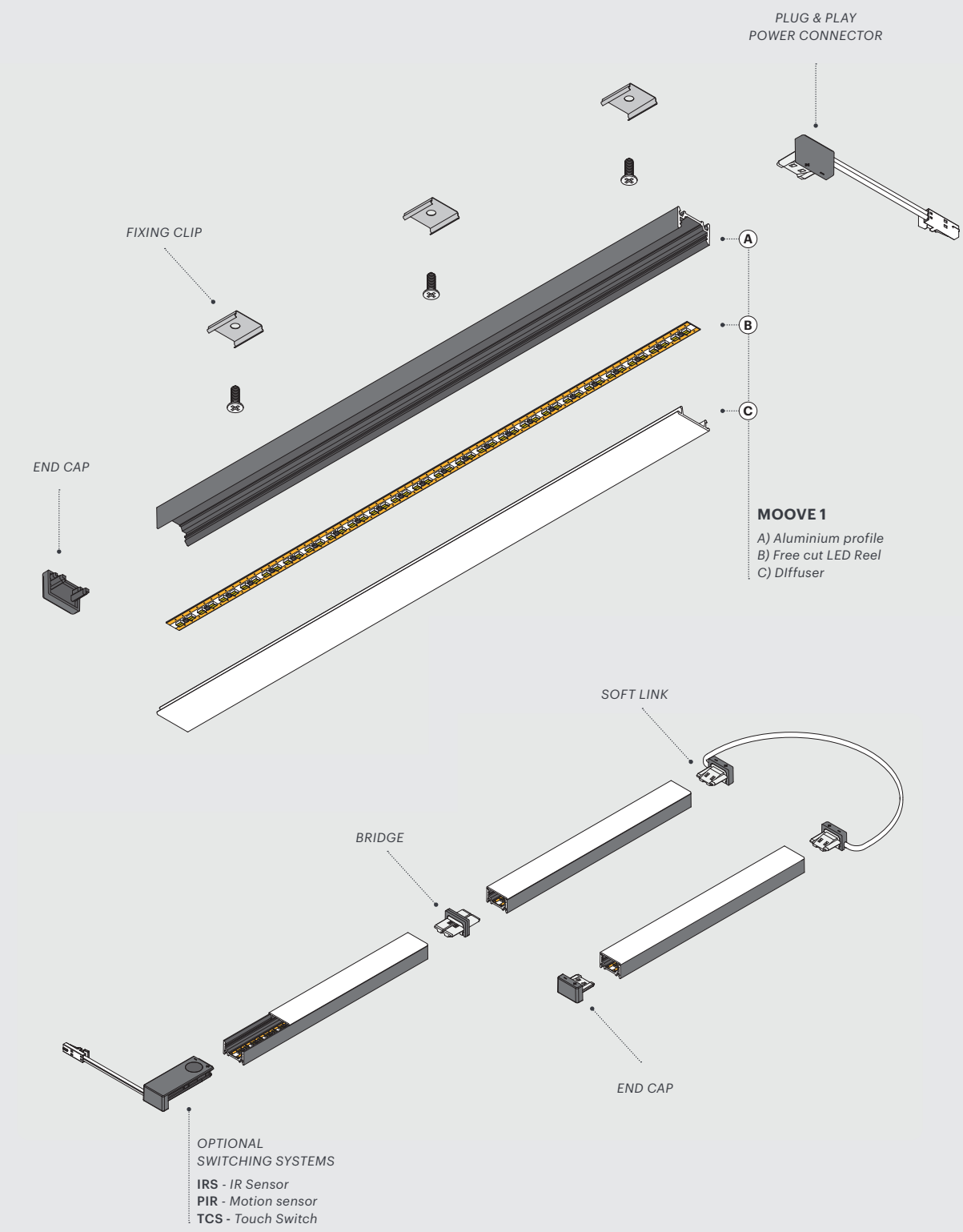
BLACK

03



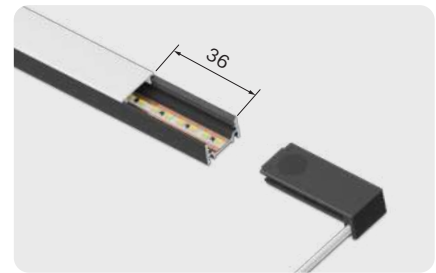
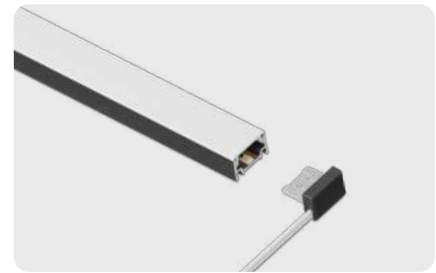
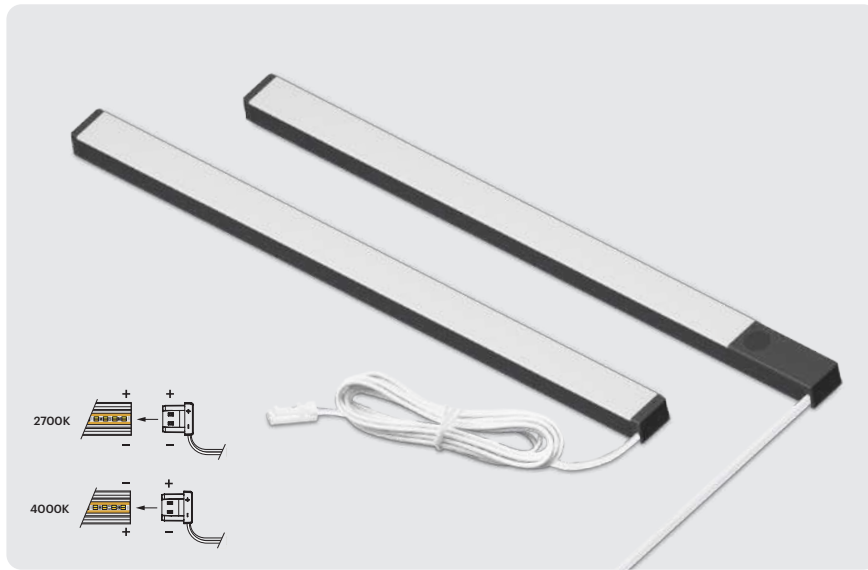
WDC DUAL COLOR 

Color temperature varies from 2700K to 4000K by reversing the insertion side of the power connector or the chosen optional switching system.



Moove 1 FREE CUT

24 V WDC IRS PIR TCS



SWITCHING AND CONTROL SYSTEMS

WITHOUT SWITCHING SYSTEM

P. 399

On-Off control via switched outlet.

Color temperature varies from 2700K to 4000K by reversing the insertion side of the power connector or the chosen optional switching system.

Can be used with Smart Home control solutions, transmitters or cabled switching systems for On-off, dimming and color temperature adjustment.



POWER SUPPLY

MEC Lite
"Ready-to-light"
power supply system
with integrated distributor.
NOT INCLUDED



MOOVE 1

WDC DUAL COLOR

FINISH

L

W

CODE

WDC Light Source.

P. 396

24 V

03 black

3000 mm

30W

561400001

Aluminium profile with integrated LED and diffuser. Without switching system.

LED 10W/m

Purchase separately (side page) the following accessories, required to complete the Moove 1 profile:

2700K÷4000K

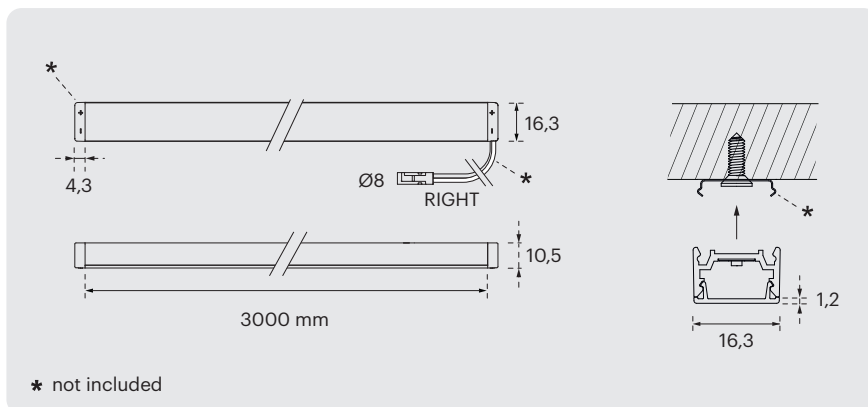
- Power Cable KIT
- Fixing Clips

374÷391 lm/m

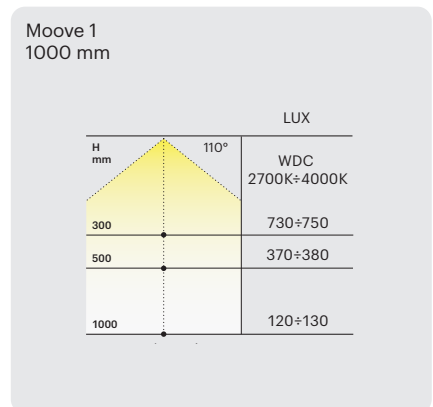
CRI>90



(mm)



ILLUMINANCE



Moove 1 FREE CUT

POWER CABLE KIT

KIT with cabled PLUG & PLAY power connector and plastic end cap .
N°2 KITS are required to cut the profile into two custom lamps.



Right cable exit
3000mm

940601818



Left cable exit
3000mm

940601817

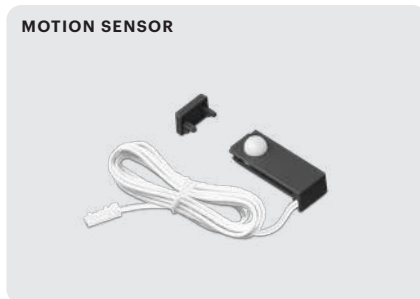
OPTIONAL SWITCHING SYSTEMS

KIT with 3000mm cabled PLUG & PLAY sensor and plastic end cap.
Cut the screen 36mm shorter than the aluminium profile to insert the cabled sensor.
MAX: 3A - 72W (Lamp up to 7200mm)



Proximity switch
ON-OFF / DIMMER (10-100%)
Range: 3-6cm

941300612



ON-OFF
Detection range: 1-3m
Auto OFF: 45sec

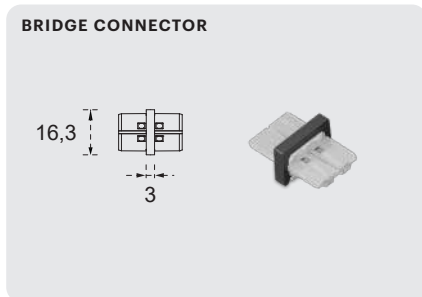
941300614



ON-OFF
DIMMER (10-100%)

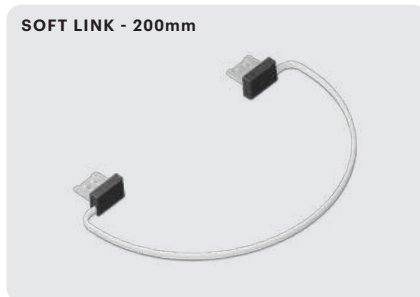
941300613

ACCESSORIES



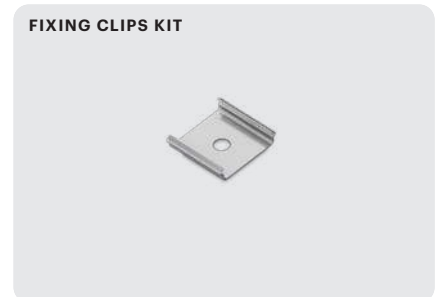
For linear lamp-to-lamp
connection

750300243



Lamp-to-lamp
connection cable

940601819



10 PCS (Screws included)
(n°1 clip each 300mm)

600800261

Moove 2 FREE CUT



Cuttable to size recessed lamp with adjustable light beam orientation.



FREE CUT - PLUG&PLAY

3000mm aluminium profile, complete with integrated LED and removable / repositionable opal diffuser for light beam orientation adjustments and anti-glare effect.

Can be cut to size freely at any point without losing LED functionality: each cut section can be used to create a lamp by means of power cable KIT or plug & play switching systems (not included).

INTENDED USE

Ideal for lighting shelves and wall units or, installed vertically in the side panels, for lighting the interior of tall units, wardrobes and cabinets.

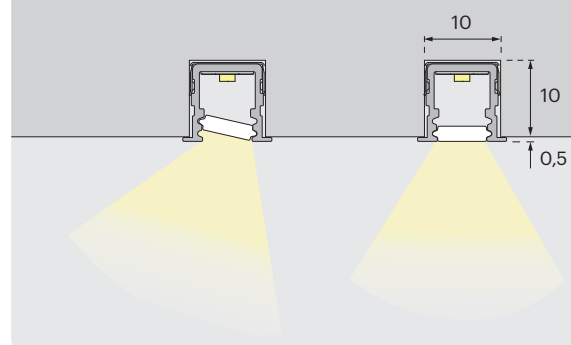
ACCESSORIES

- Integrable plug & play IRS sensors.
- Accessories for in-line connection of multiple lamp segments.

FINISHES

Available in black finish.

SECTION 1:1 (mm)



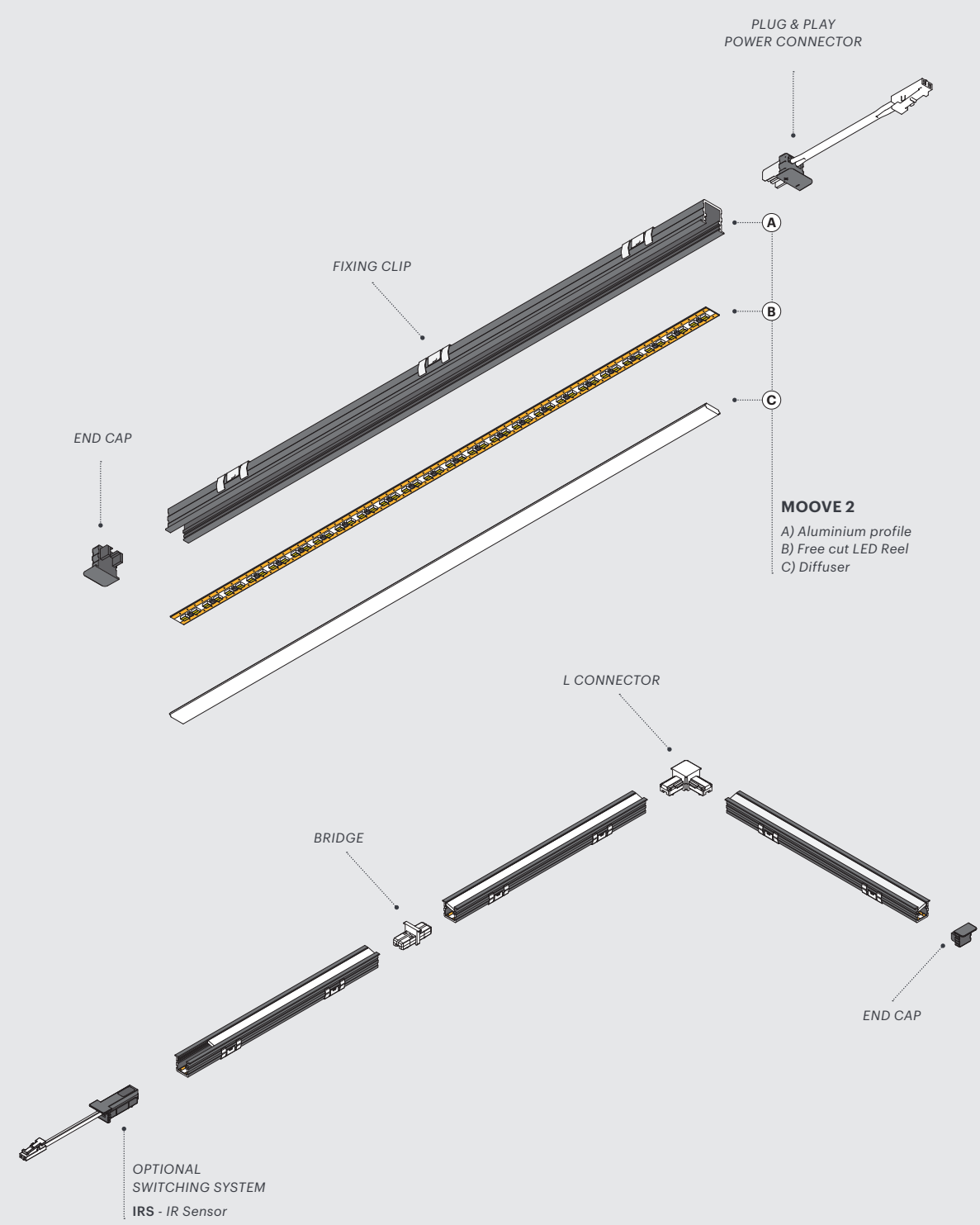
BLACK

03

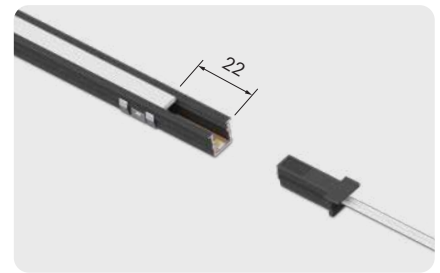
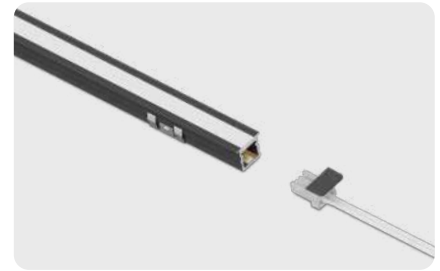


WDC DUAL COLOR 

Color temperature varies from 2700K to 4000K by reversing the insertion side of the power connector or the chosen optional switching system.



Moove 2 FREE CUT



SWITCHING AND CONTROL SYSTEMS

WITHOUT SWITCHING SYSTEM

P. 399

On-Off control via switched outlet.

Color temperature varies from 2700K to 4000K by reversing the insertion side of the power connector or the chosen optional switching system.



Can be used with Smart Home control solutions, transmitters or cabled switching systems for On-off, dimming and color temperature adjustment.

POWER SUPPLY

MEC Lite
 "Ready-to-light"
 power supply system
 with integrated distributor.
 NOT INCLUDED



MOOVE 2

WDC DUAL COLOR WDC

FINISH

L

W

CODE

WDC Light Source.

P. 396

24 V

03 black

3000 mm

30W

561500001

Aluminium profile with integrated LED and diffuser. Without switching system.

LED 10W/m

Purchase separately (side page) the following accessories, required to complete the Moove 2 profile:

2700K÷4000K

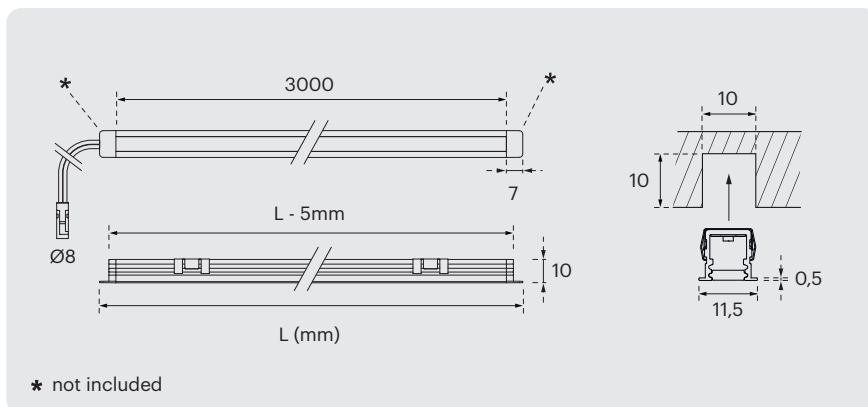
- Power Cable KIT
- Fixing Clips

162÷169 lm/m

CRI>90

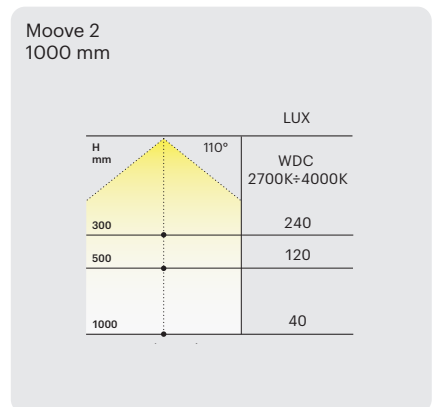


(mm)



* not included

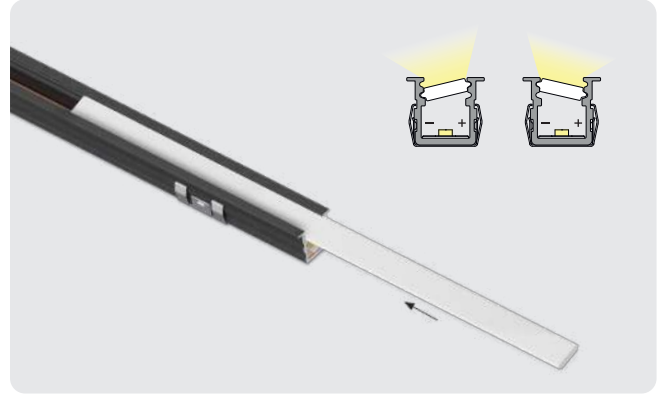
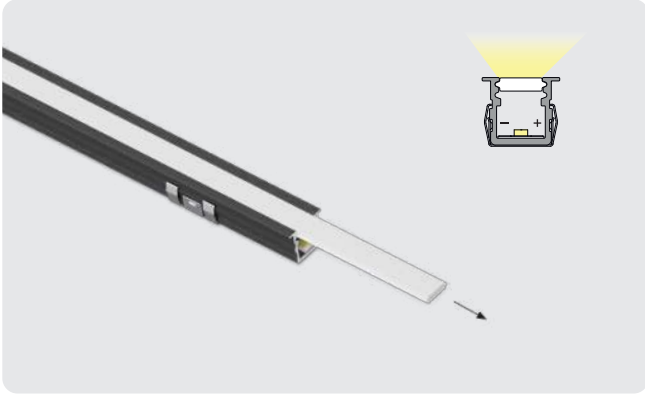
ILLUMINANCE



Moove 2 FREE CUT

ADJUSTABLE LIGHT BEAM ORIENTATION

Pull out and rotate the diffuser to change the direction of the light beam. The retracted tilted position of the diffuser ensures anti-glare effect.



POWER CABLE KIT

KIT with cabled PLUG & PLAY power connector and plastic end cap. N°2 KITS are required to cut the profile into two custom lamps.



Cable 3000mm

940601820

OPTIONAL SWITCHING SYSTEMS

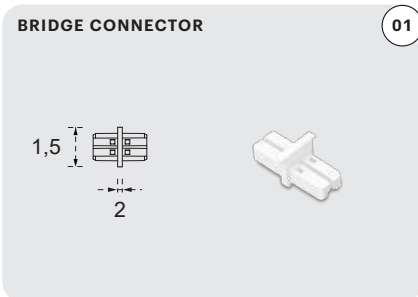
KIT with 3000mm cabled PLUG & PLAY sensor and plastic end cap. Cut the screen 36mm shorter than the profile to insert the cabled sensor. MAX: 1,5A - 36W (Lamp up to 3600mm)



Proximity switch
ON-OFF / DIMMER (10-100%)
Range: 3-6cm

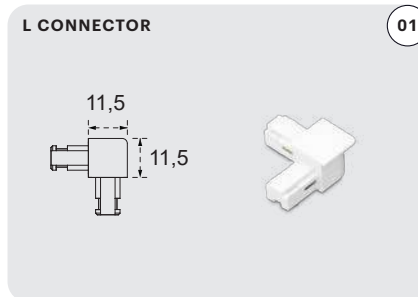
941300615

ACCESSORIES



For linear lamp-to-lamp connection

750300247



For lamp-to-lamp corner connection

750300246



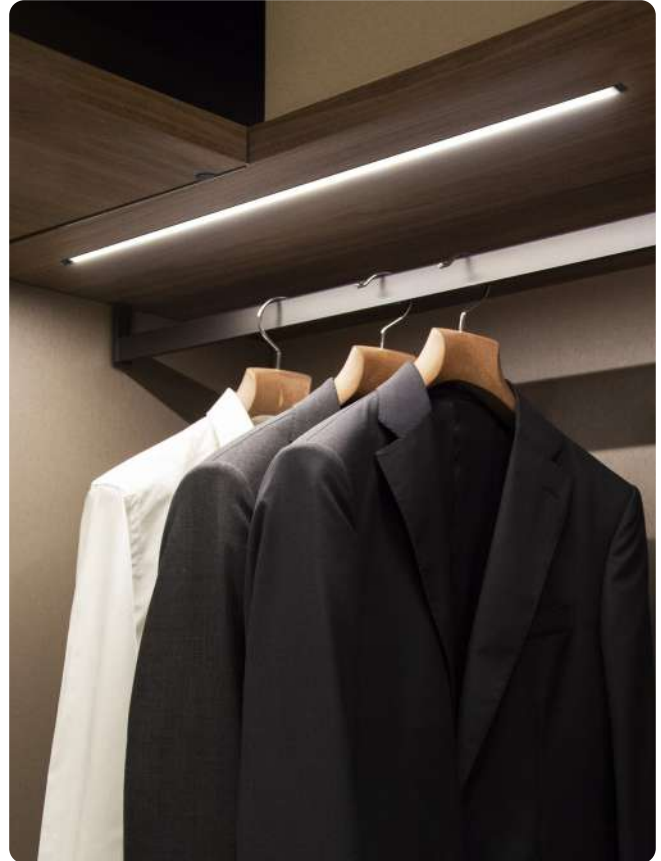
10 PCS
(n°1 clip each 300mm)

600800262

Moove 3 FREE CUT



Cuttable to size recessed mounted lamp with direct light beam.



FREE CUT - PLUG&PLAY

3000mm aluminium profile, complete with integrated LED and pre-assembled opal diffuser.

Can be cut to size freely at any point without losing LED functionality: each cut section can be used to create a lamp by means of power cable KIT or plug & play switching systems (not included).

INTENDED USE

Ideal for lighting shelves and the interior of wall units, wardrobes and walk-in closets.

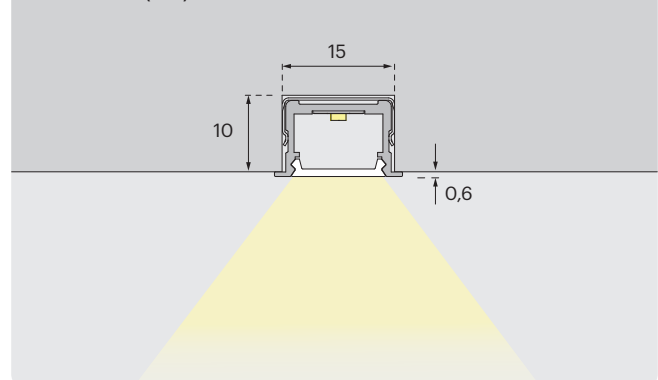
ACCESSORIES

- Complete range of Integrable plug & play sensors: IRS / PIR / TCS
- Accessories for in-line connection of multiple lamp segments.

FINISHES

Available in black finish.

SECTION 1:1 (mm)



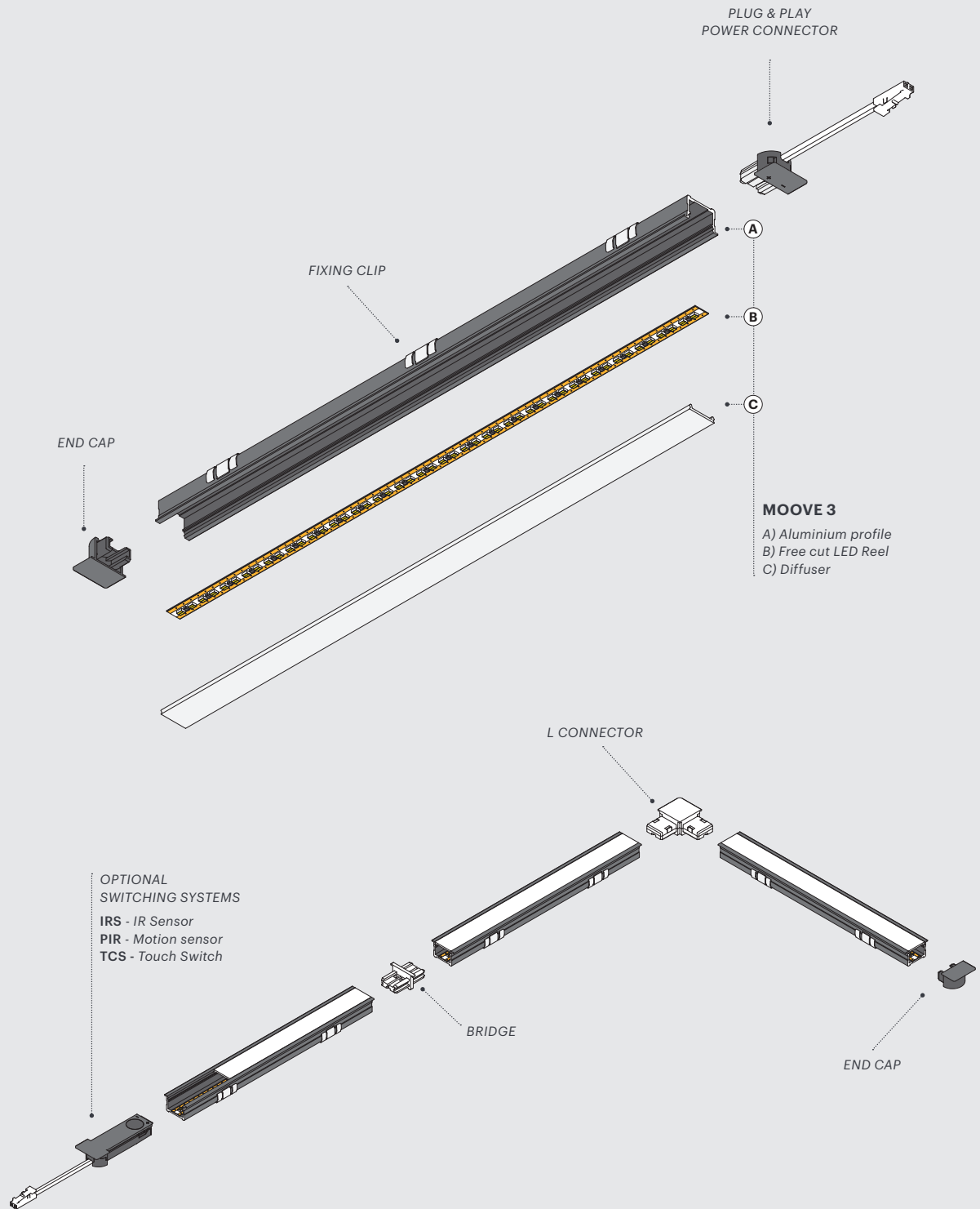
BLACK

03



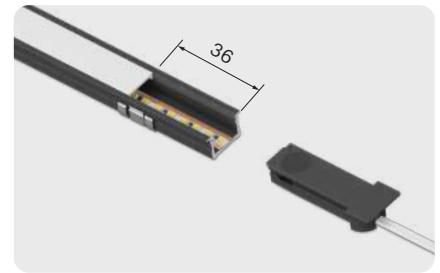
WDC DUAL COLOR 

Color temperature varies from 2700K to 4000K by reversing the insertion side of the power connector or the chosen optional switching system.



Moove 3 FREE CUT

24 V WDC IRS PIR TCS



SWITCHING AND CONTROL SYSTEMS

WITHOUT SWITCHING SYSTEM

P. 399

On-Off control via switched outlet.

Color temperature varies from 2700K to 4000K by reversing the insertion side of the power connector or the chosen optional switching system.



Can be used with Smart Home control solutions, transmitters or cabled switching systems for On-off, dimming and color temperature adjustment.

POWER SUPPLY

MEC Lite
 "Ready-to-light"
 power supply system
 with integrated distributor.
 NOT INCLUDED

MEC LITE

P. 354



MOOVE 3

WDC DUAL COLOR

FINISH

L

W

CODE

WDC Light Source.

P. 396

24 V

03 black

3000 mm

30W

561600001

Aluminium profile with integrated LED and diffuser. Without switching system.

LED 10W/m

Purchase separately (side page) the following accessories, required to complete the Moove 3 profile:

2700K÷4000K

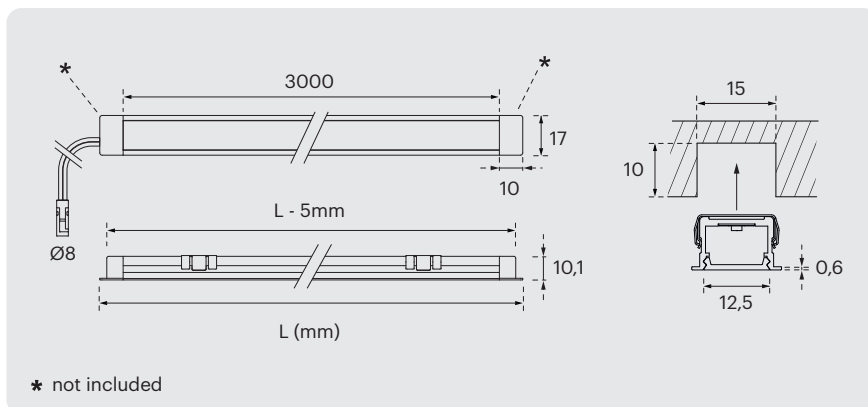
- Power Cable KIT
- Fixing Clips

309÷322 lm/m

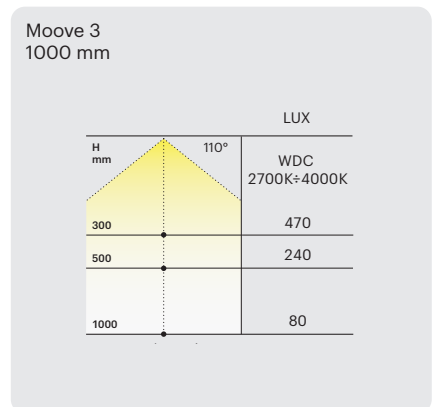
CRI>90



(mm)



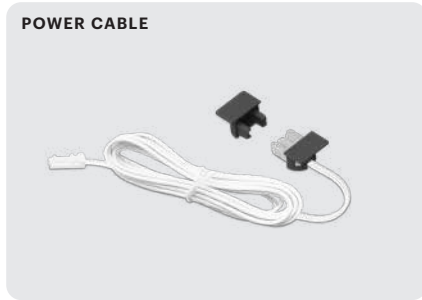
ILLUMINANCE



Moove 3 FREE CUT

POWER CABLE KIT

KIT with cabled PLUG & PLAY power connector and plastic end cap .
 N°2 KITS are required to cut the profile into two custom lamps.



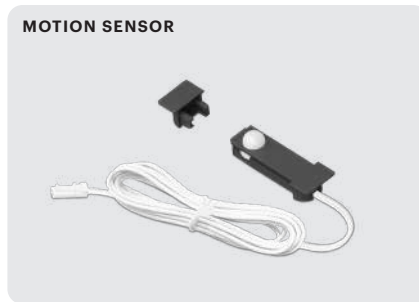
Cable 3000mm **940601821**

OPTIONAL SWITCHING SYSTEMS

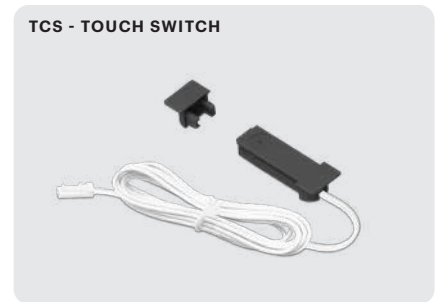
KIT with 3000mm cabled PLUG & PLAY sensor and plastic end cap.
 Cut the screen 36mm shorter than the aluminium profile to insert the cabled sensor.
 MAX: 3A - 72W (Lamp up to 7200mm)



Proximity switch **941300616**
 ON-OFF / DIMMER (10-100%)
 Range: 3-6cm

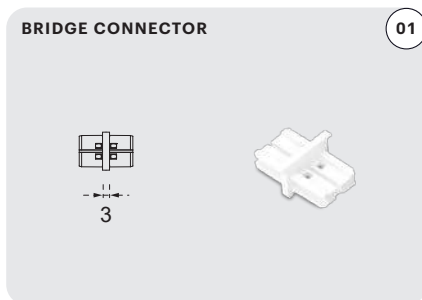


ON-OFF **941300614**
 Detection range: 1-3m
 Auto OFF: 45sec

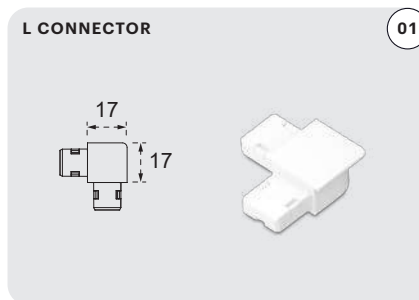


ON-OFF **941300617**
 DIMMER (10-100%)

ACCESSORIES



For linear lamp-to-lamp connection **750300245**



For lamp-to-lamp corner connection **750300244**



10 PCS (n°1 clip each 300mm) **600800263**

Moove 4 FREE CUT



Cuttable to size recessed mounted flexible LED Reel.



FREE CUT - PLUG&PLAY

Can be cut to size freely at any point without losing LED functionality: each cut section can be used to create a lamp by means of power cable KIT or plug & play switching systems (not included).

Only 4mm wide, available in 5m and 20m reels.

INTENDED USE

Maximum flexibility in creating a variety of shapes to emphasize the furniture's contours or, installed vertically in the side panels, for lighting the interior of tall units, wardrobes and cabinets.

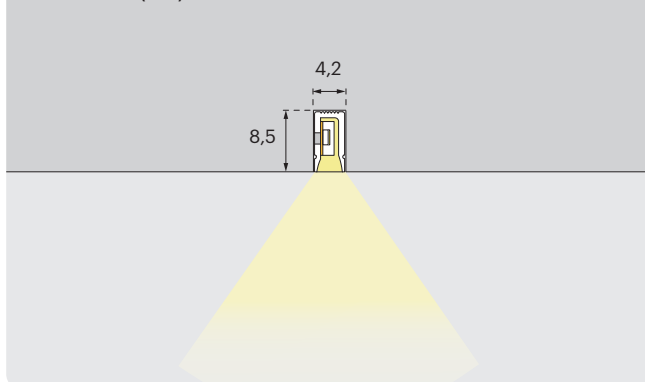
ACCESSORIES

- Accessories for in-line connection of multiple lamp segments.

FINISHES

Available in white finish.

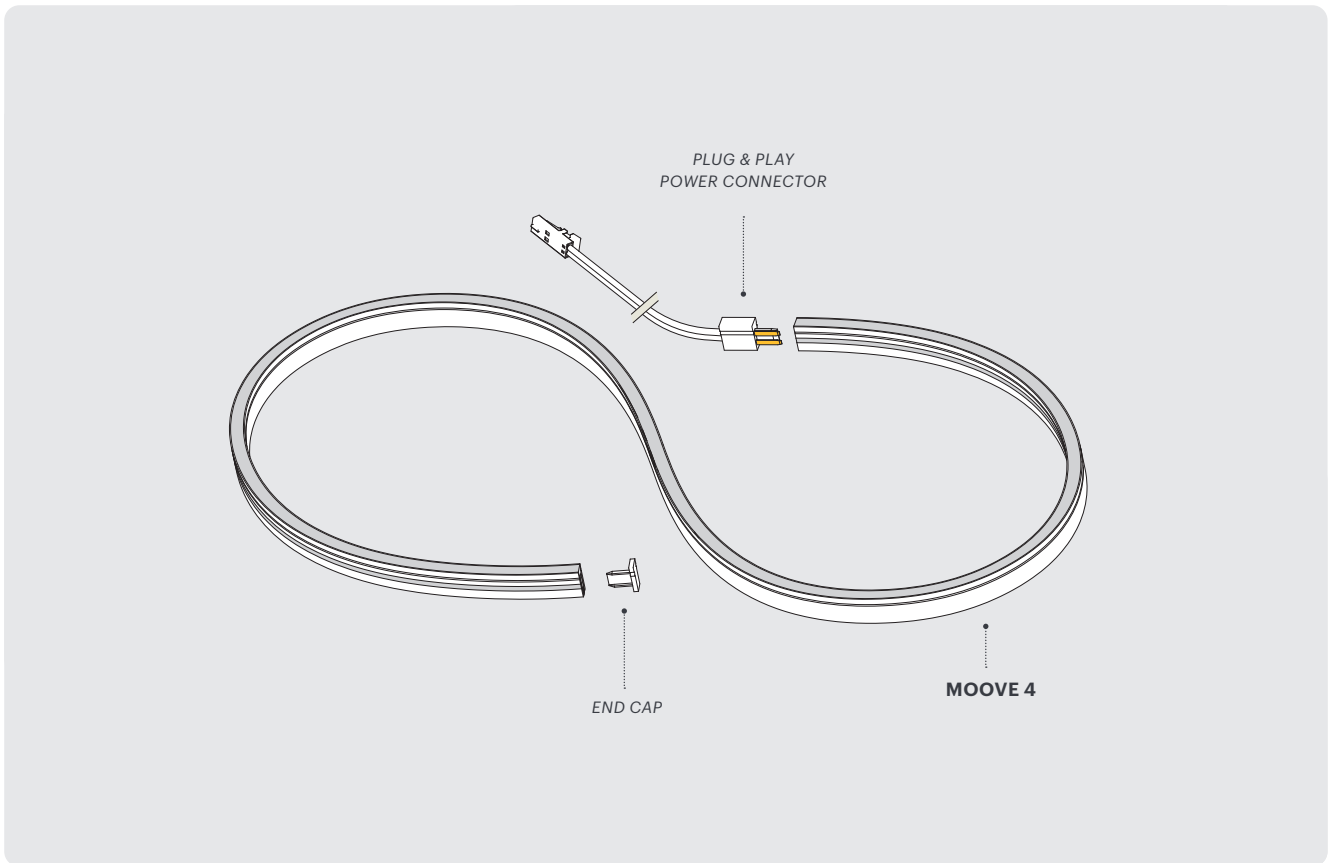
SECTION 1:1 (mm)



WHITE



01



Moove 4 FREE CUT



SWITCHING AND CONTROL SYSTEMS

WITHOUT SWITCHING SYSTEM

P. 399

On-Off control via switched outlet.
EDC jumper cable included, for color temperature setting during installation.



Can be used with Smart Home control solutions, transmitters or cabled switching systems for On-off, dimming and color temperature adjustment.

POWER SUPPLY

MEC Lite
"Ready-to-light"
power supply system
with integrated distributor.
NOT INCLUDED

MEC LITE

P. 354



MOOVE 4

EDC DUAL COLOR EDC

FINISH

L

W

CODE

EDC Light Source.

P. 396

24 V

01 white

20 m

200W

751101311

Purchase separately (side page) the Power Cable KIT, required to complete the Moove 4 Strip.

LED 10W/m

5 m

50W

751101329

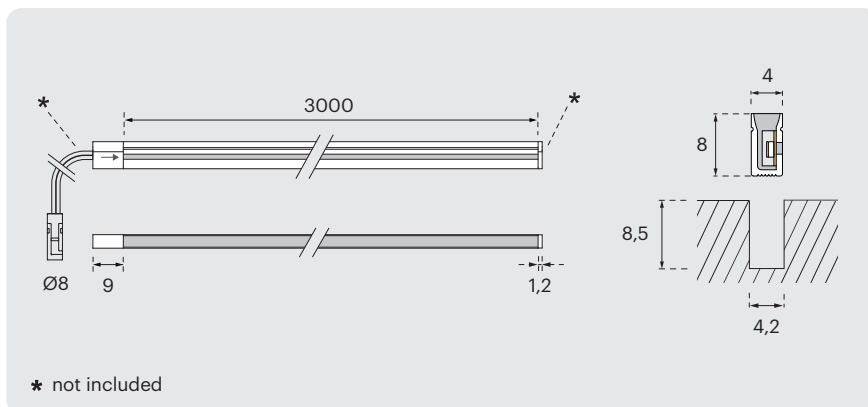
3000K÷4000K

235 lm/m

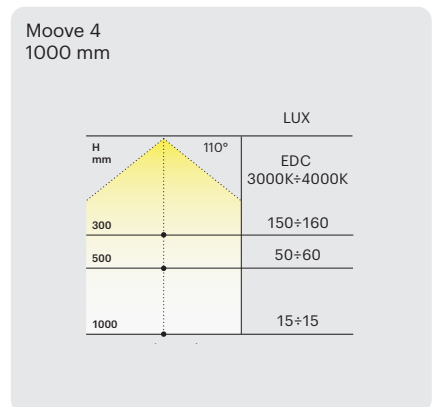
CRI>90



(mm)

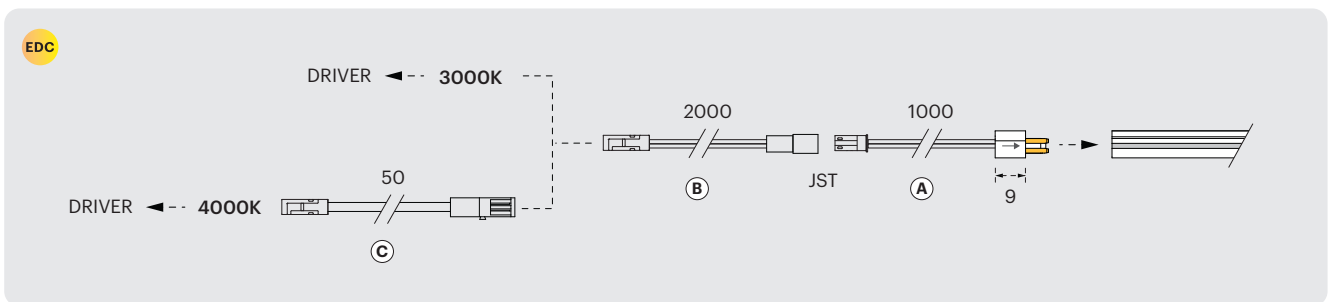
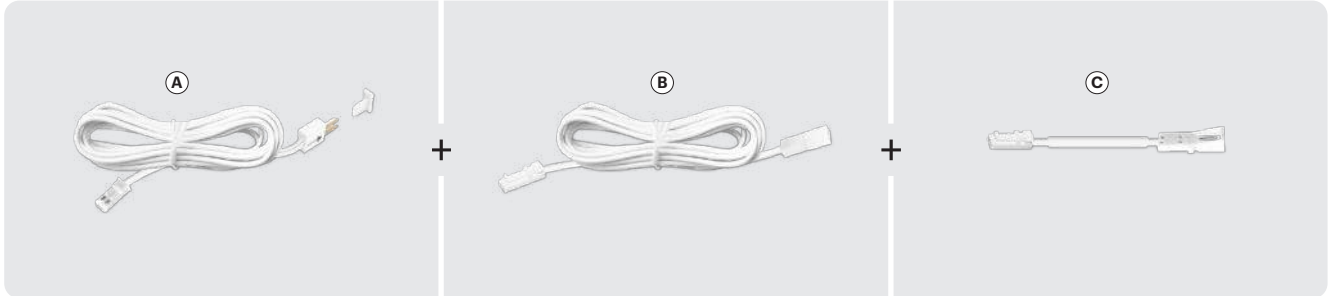


ILLUMINANCE



Moove 4 FREE CUT

POWER CABLE KIT



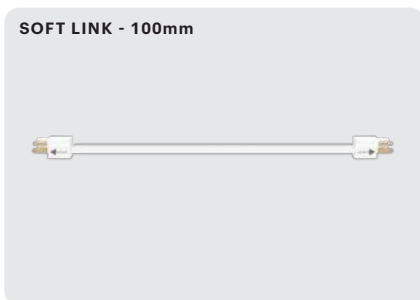
KIT includes:

- (A) 1000mm cabled PLUG & PLAY power connector and plastic end cap.
- (B) 2000mm extension for Driver connection.
- (C) 50mm EDC Jumper cable (to be applied at power cable's end for color temperature change).

600300198

N°2 KITS are required to cut the LED Reel into two custom lamps.

ACCESSORIES



Lamp-to-lamp connection cable

940601923

Moove 5 FREE CUT



Cuttable to size surface mounted lamp with direct light beam.



FREE CUT - PLUG&PLAY

3000mm aluminium profile, complete with integrated LED and pre-assembled opal diffuser.

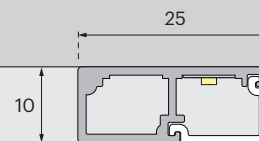
Can be cut to size freely at any point without losing LED functionality: each cut section can be used to create a lamp by means of electrification KIT and plug & play switching system (not included).

INTENDED USE

Ideal for illuminating drawers and inside kitchen base cabinets; the light beam can be directed towards the inside or outside of the cabinet.

Easy installation with included fixing screws.

SECTION 1:1 (mm)



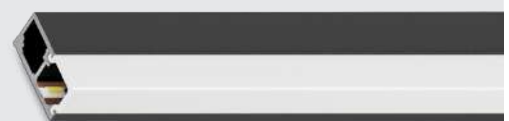
ACCESSORIES

- IRD Door sensors
- Brackets for cabinet's sides fixing.

FINISHES

Available in black finish.

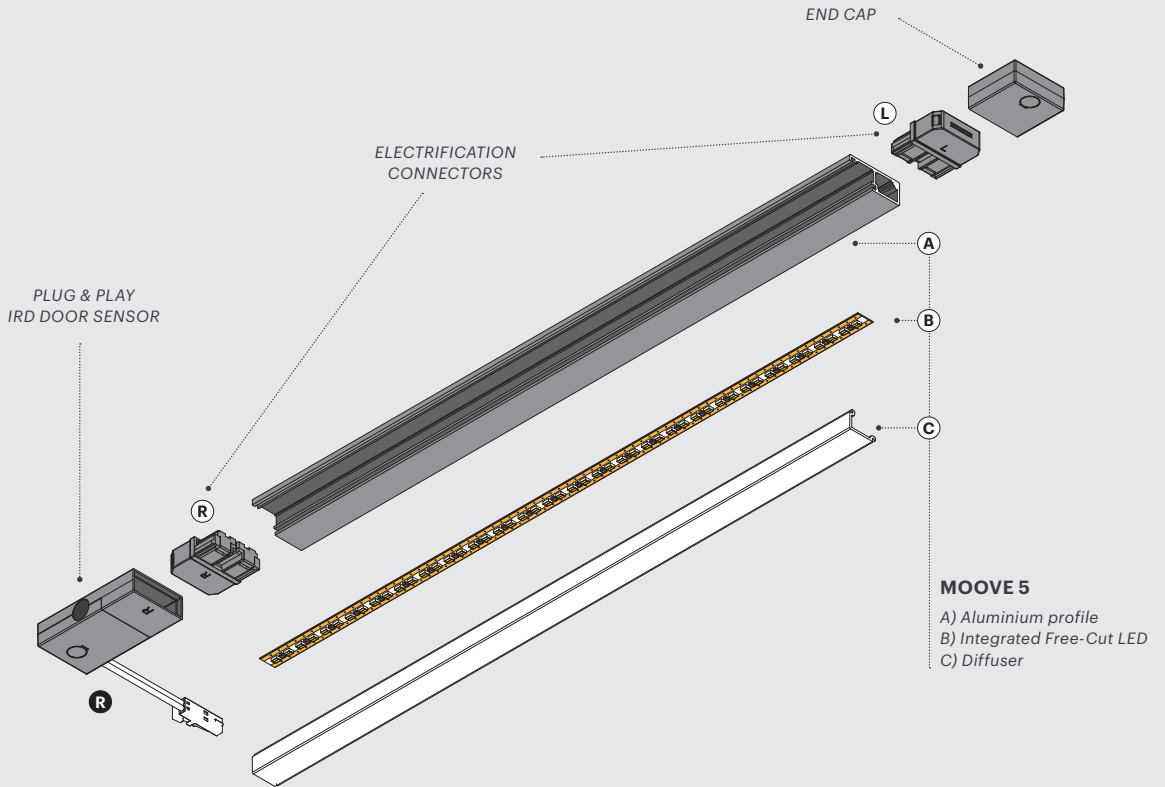
BLACK



03

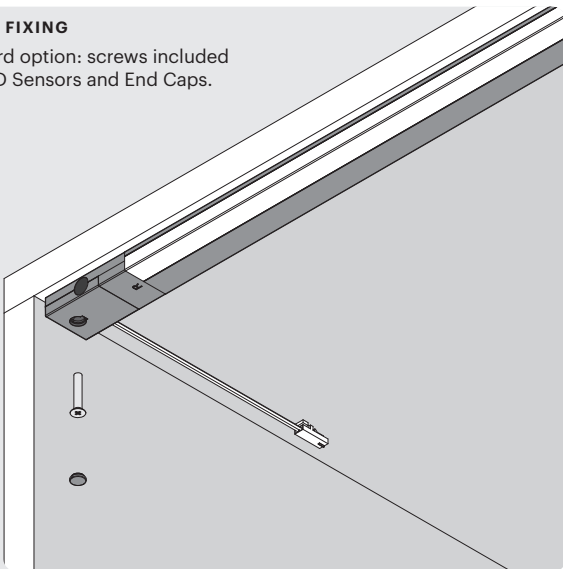
WDC DUAL COLOR 

Color temperature varies from 2700K to 4000K by reversing the insertion side of the chosen switching system.



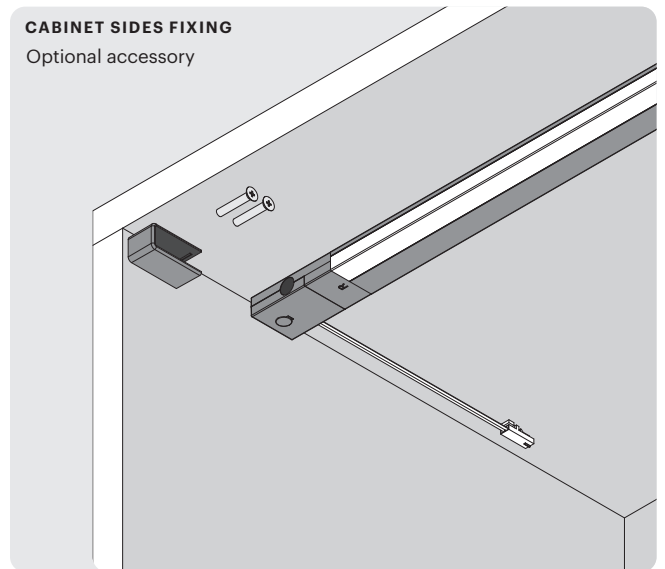
SCREW FIXING

Standard option: screws included with IRD Sensors and End Caps.

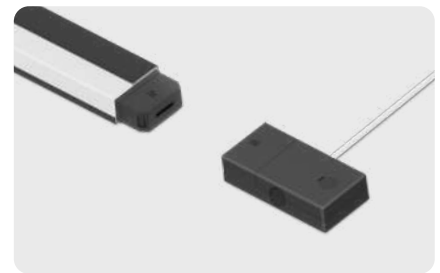


CABINET SIDES FIXING

Optional accessory



Moove 5 FREE CUT



SWITCHING AND CONTROL SYSTEMS

INTEGRATED CONTROL

P. 398

IR Door Sensor (IRD)

The color temperature varies from 2700K to 4000K by reversing the insertion side of the IRD sensor used (sold separately).



POWER SUPPLY

MEC Lite

"Ready-to-light" power supply system with integrated distributor.

NOT INCLUDED

MEC LITE

P. 354



MOOVE 5

WDC Light Source.

P. 396

Aluminium profile with integrated LED and diffuser. Without switching system.

Purchase separately (side page) the following accessories, required to complete the Moove 5 profile:

- Electrification connector kit
- IRD Door sensor
- End cap

WDC DUAL COLOR WDC

24 V

LED 10W/m

2700K÷4000K

320 lm/m

CRI>90



FINISH

03 black

L

3000 mm

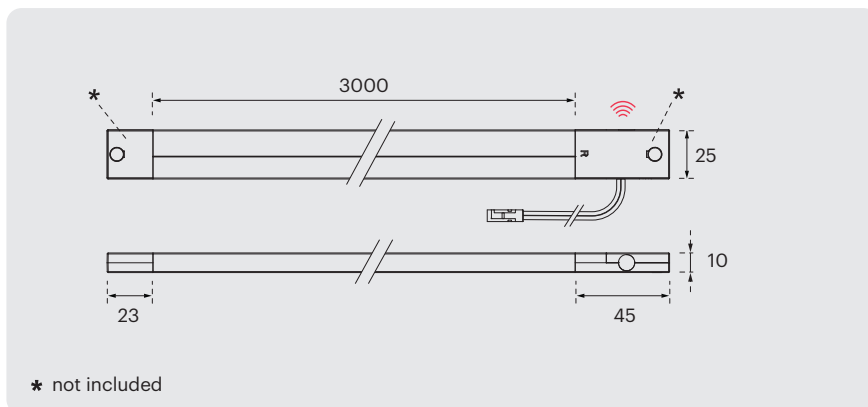
W

30W

CODE

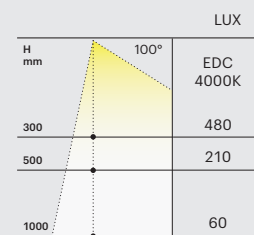
561700001

(mm)



ILLUMINANCE

Moove 5
1000 mm



Moove 5 FREE CUT

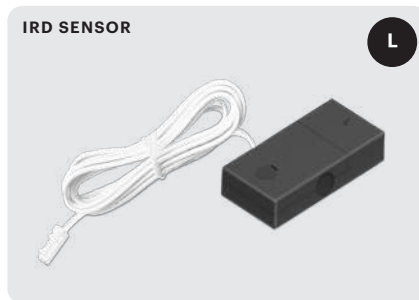
ELECTRIFICATION AND SWITCHING SYSTEM

To power the MOOVE 5 lamp, use the "L/R" electrification connector kit combined with the "L" or "R" wired IRD sensors. MOOVE 5 works with one or two sensors mounted at the ends (with a double sensor, it will not be necessary to purchase the side end cap). Each IRD sensor (L or R) is supplied with fixing screws and can be mounted to the right or left of the MOOVE 5 profile: follow the instructions with the sensor positioning options (P.28) to correctly set the light beam orientation and color temperature.



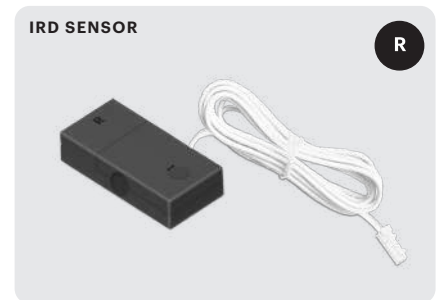
Couple of electrification connectors (L/R).

600300241



IR Door Sensor (L)
Mounting screws included.
Cable 3000mm

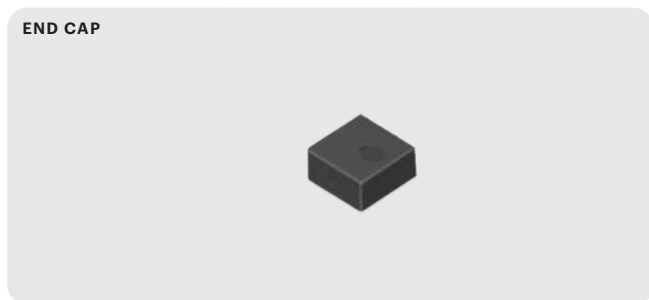
941300706



IR Door Sensor (R)
Mounting screws included.
Cable 3000mm

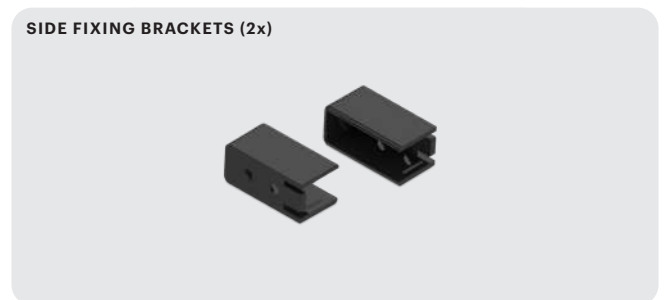
941300705

ACCESSORIES



For use when configuring MOOVE 5 with a single IRD sensor.
Mounting screw included.

600800294



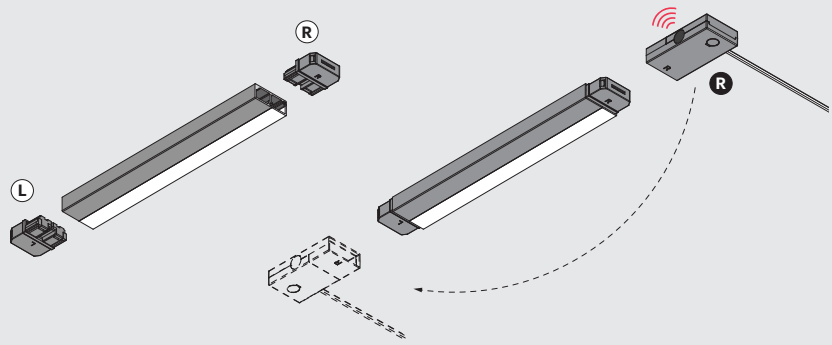
To install MOOVE 5 at the cabinet's sides.
Mounting screws included.

600800293

The electrification connectors (L/R) are inserted into the MOOVE 5 profile as shown in the figure.

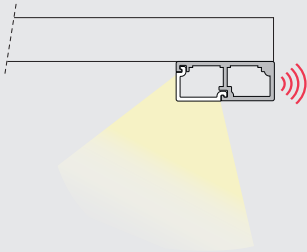
All wired IRD sensors can be mounted on either side of the profile, allowing you to change the orientation of the light beam, the direction of the sensor/cable outlet, and the color temperature.

Refer to the diagram below for all available options, for single or double sensors.



INSTALLATION - SIDE VIEW

Inside base cabinet lighting

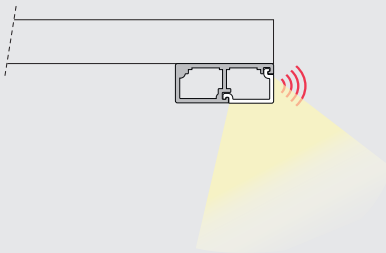


CCT

ELECTRIFICATION OPTIONS - FRONT VIEW

2700K			
4000K			
2700K			
4000K			

Drawer lighting



2700K			
4000K			
2700K			
4000K			



The information present in this catalog may be subject to errors. The articles, their characteristics, data and dimensions found therein are not binding and may be subject to change without prior notice from the company.

L&S ITALIA SPA

SUBSIDIARES

ITALY

Headquarters

Via L. Zanussi, 8
Maron di Brugnera (PN)
+39 0434 616611
info@ls-light.com

Varese

Via Pacinotti, 64
Varese (VA)
+39 0332 491247

Tavullia

Via del Lavoro, 4
Tavullia (PU)
+39 0721 901123

GERMANY

L&S Deutschland GmbH

Daimlerring, 34
Rödinghausen
+49 5223 8790-0
info@ls-light.de

CHINA

LS Lighting

(Shanghai) Co., Ltd.
No. 255, LongPan Rd.,
Malu Town,
Jiading District, Shanghai
+86 021 6915 3825
info.china@ls-light.com

UNITED STATES

L&S Lighting Corporation

1505 Pavilion Place, Suite A
Norcross, Georgia
+1 877 877 0757
info.us@ls-light.com

